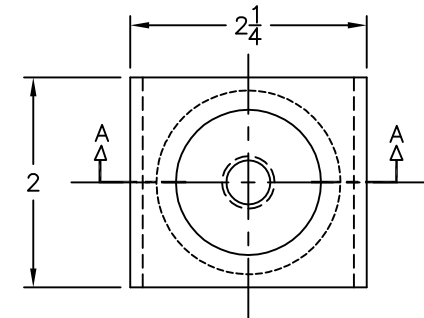
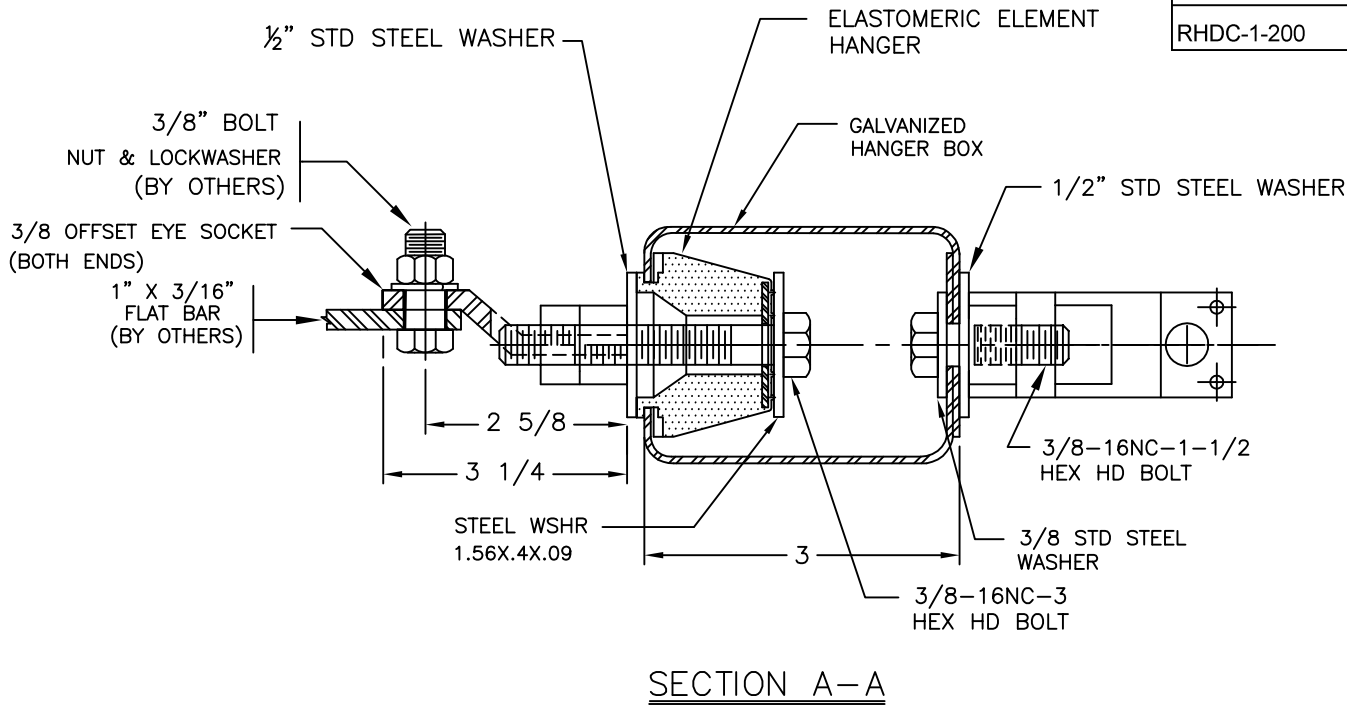


REV.	DESCRIPTION	DATE	BY

MODEL DESIGNATION	MAX LOAD (LBS.)	DEFLECTION (IN.)	COLOR CODE
RHDC-1-120	120	0.40	GREEN
RHDC-1-200	200	0.40	ORANGE



**NOTES:**

1. ALL DIMENSIONS IN INCHES. INTERPRET PER ANSI Y14.
2. RUBBER IS BRIDGE BEARING, NEOPRENE OR EQUIVALENT.

OTHER MATERIALS, COMPOUNDS, OR FINISHES WITH EQUAL OR SUPERIOR PROPERTIES MAY BE SUBSTITUTED AS THEY BECOME AVAILABLE.

<p><b>CERTIFIED FOR:</b></p> <p>JOB NAME: _____</p> <p>CUSTOMER : _____</p> <p>CUSTOMER P.O.: _____</p> <p>SALES ORDER: _____</p>	<p><b>MODEL RHDC 120-200 LBS.</b></p> <p><b>ELASTOMERIC FLOATING CEILING</b></p> <p><b>ISOLATED HANGER WITH</b></p> <p><b>OFFSET EYELETS</b></p> <p><b>0.40 DEFLECTION</b></p>	<p><b>THE VMC GROUP</b> The Power of Together Bloomington, NJ 07403 Houston, TX 77041</p>	SCALE :		
			SHEET:		
			DRAWING NO.:		REVISION